

# LINEAR VIBRATING SCREEN – LVS SERIES

## GMX LINEAR VIBRATING SCREEN (LVS)

The LVS series is designed for high-capacity classification, scalping, and de-dusting of fine to medium-sized bulk solids. With its dual functionality of screening and conveying, this durable machine is widely applicable across various industries. This series supports extensive customization options.



*LVS Series*

### FEATURES

- High capacity and accurate screening
- Light and durable structure
- Feed distributor
- Quick access door
- Quick screen mesh replacement
- Adjustable flow rate
- Dust-proof
- Anti-blinding bouncing ball system
- Stable performance with low noise level
- Low maintenance cost



**Highly customizable**

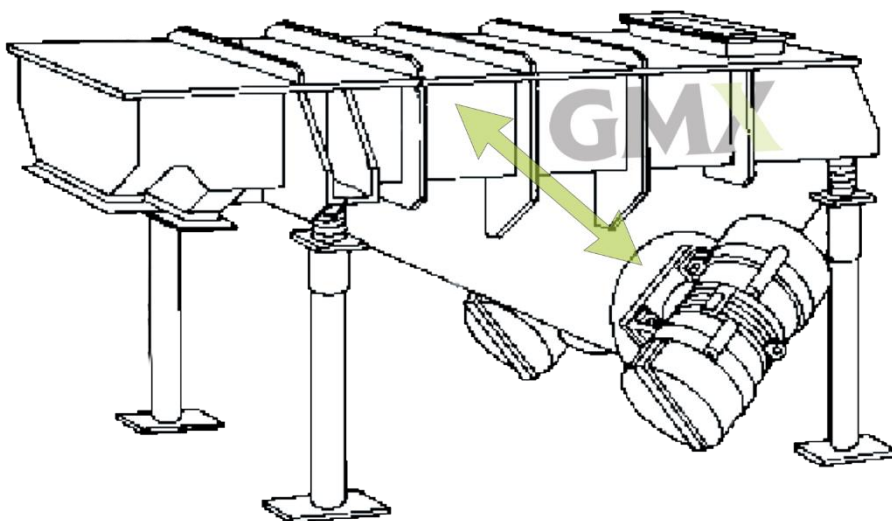
<b>Dimension</b>	Length, width, height
<b>No. decks</b>	1-5
<b>Machine material</b>	AISI 304, AISI 316L, carbon steel painted
<b>Mesh material</b>	Woven wire, perforated sheet metal, grizzly bar, polyurethane
<b>Deck angle</b>	0-7 degree uphill or downhill
<b>Spring</b>	Steel compression springs, rubber springs, oscillating mountings
<b>Inlet and outlet</b>	Round, square, oval, flange

**HOW IT WORKS**

The LVS series features two powerful vibrator motors mounted on a rigid common base. When the two motors operate at the same frequency and in opposite directions, they automatically synchronize to generate a linear motion. This motion enables the LVS series to efficiently grade and convey bulk solids as needed.

The inclined deck angle improves screening precision, while the high G-force and bouncing ball system effectively reduce clogging.

**Linear Motion**



## Datasheet

Mesh opening	2-200 mesh
Max capacity	20 t/h
No. of decks	1-5
Screen Slope	0-7°
Operating speed	1000 / 1200 rpm (at 50Hz / 60Hz)
Amplitude	2-8 mm
Materials	AISI 304, AISI 316L, carbon steel painted
Surface Options	Powder coating; Polishing; Bead blasting
Anti-blind devices	Bouncing balls

Types		LVS 0520	LVS 0820	LVS 1020	LVS 1030	LVS 1230	LVS 1540
Mesh surface	mm	500×2,000	800×2,000	1,000×2,000	1,000×3,000	1,200×3,000	1,500×4,000
Engine performance	kW	2×0.4-0.75	2×0.75-1.1	2×0.75-1.1	2×1.1-1.5	2×1.5-3.0	2×2.2-3.7
Weight	kg	400-550	600-800	700-950	800-1,100	1,000-1,300	2,200-2,500